

Versatronik® Strap-On Kit

Part Number:

KWE 709 027

Vi 7416 066

Applicable Usage:

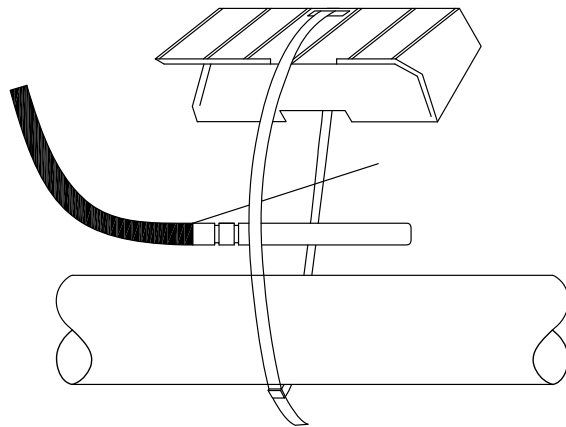
Versatronik 200 System Controller

Mixing Valve

LLH/Common Supply



Installation Datasheet



WARNING

When extending wire there is the possibility of exposure to electromagnetic interference. Avoid running wires beside or near high voltage 120/240 VAC conductors. If proximity to high voltage conductors cannot be avoided, use stranded, twisted pair of shield design wire. Ensure that only one end of the shielding is grounded.

IMPORTANT

Read and save these instructions for future reference

KWE Technologies Group
750 McMurray Road
Waterloo, Ontario, Canada
N2V 2G5

Tel: (519) 747-5042

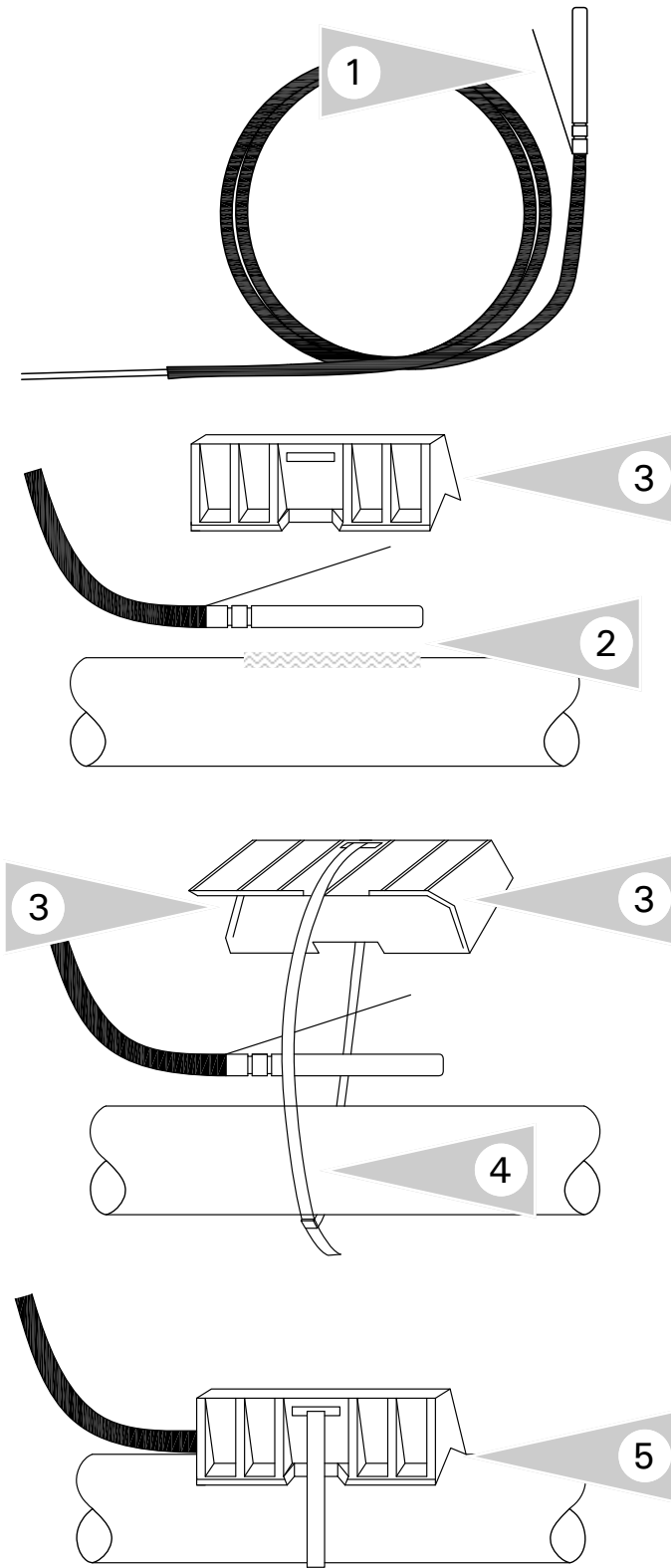
Fax: (519) 747-4448

www.kwe-tech.com

info@kwe-tech.com

Strap-On Kit

KWE P/N 542 014 Versatronik Strap-On Sensor Installation Manual Technical information subject to change without notice

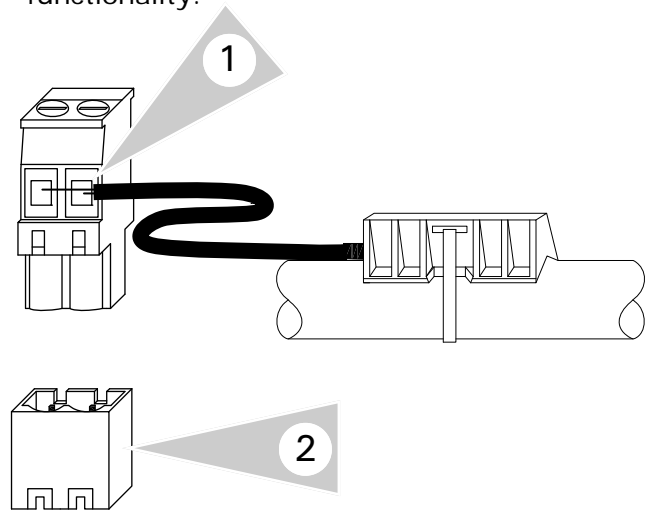


Installation Instruction

1. The same immersion sensor that is used with temperature wells, is also used for strap-on/contact type applications.
2. Select proper location for sensor. When using with mixing valve sensing, ensure the sensor is sensing the mixed temperature out of the mixing valve.
Apply supplied contact paste to sensor/pipe to maximize temperature sensing.
3. Position sensor retaining cap above the sensor. Wire runs through open end of the retaining cap. Fasten down the retaining cap and sensor with supplied wire tie. Larger diameter pipes may require additional wire ties or field supplied wire strapping.
4. Tighten strap.
5. Sensor and retaining cap securely affixed to pipe.

Control Connections

1. Wire sensor to 2-pole plug. Not polarity sensitive.
2. Plug into control socket based on sensor functionality.



Technical Information

Sensor: 5K resistive element
Length: 3m/10feet

Note: When extending wire there is the possibility of exposure to electromagnetic interference. Avoid running wires beside or near high voltage 120/240 VAC conductors.

